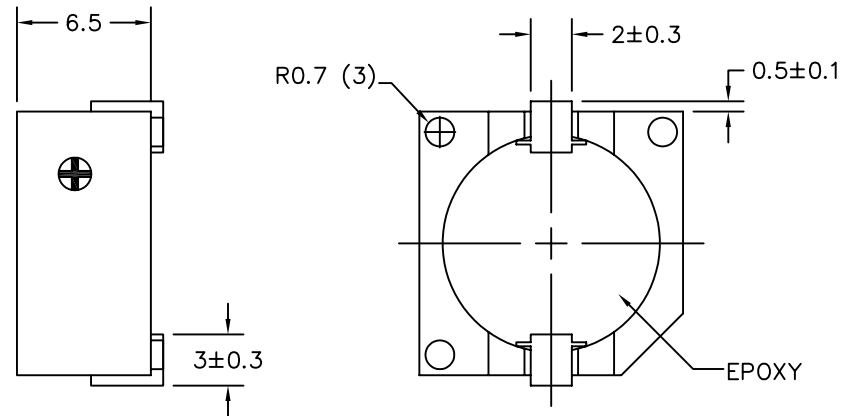
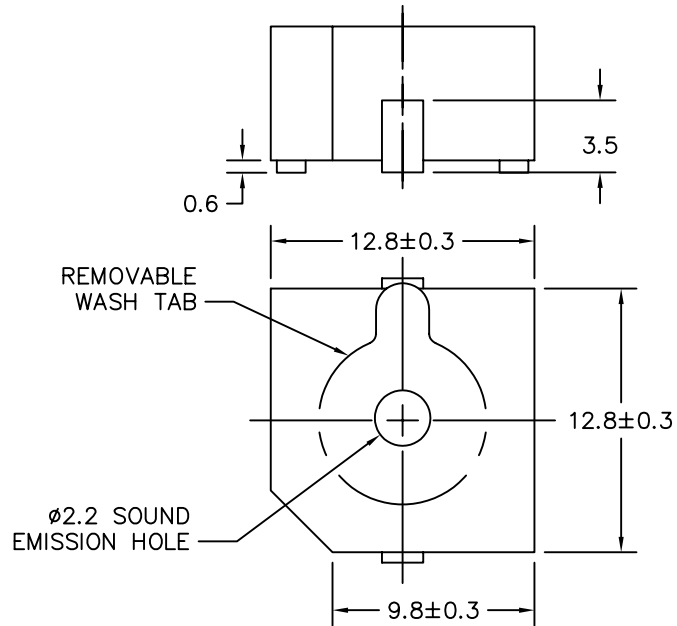


THIS DOCUMENT CONTAINS DATA PROPRIETARY TO PROJECTS UNLIMITED, INC. ANY USE OR REPRODUCTION, IN ANY FORM, WITHOUT PRIOR WRITTEN PERMISSION OF PROJECTS UNLIMITED, INC. IS PROHIBITED.  
© 2005, Projects Unlimited Inc.

### SPECIFICATIONS

PARAMETERS	VALUES	UNITS
RATED VOLTAGE	3	Vdc
OPERATING VOLTAGE RANGE	2 ~ 5	Vdc
RATED CURRENT (MAX)	30	mA
MINIMUM SPL @ 10 CM	75	dBA
RESONANT FREQUENCY	2400±400	Hz
TONE OR PULSE RATE	CONTINUOUS	0 PULSE PER SECOND
OPERATING TEMPERATURE	-20 ~ +70	°C
STORAGE TEMPERATURE	-30 ~ +80	°C
HOUSING MATERIAL	PPS	-
TERMINAL MATERIAL	Sn PLATED BRASS	-
WEIGHT	2	grams



#### NOTES:

1. ALL DIMENSIONS ARE IN MILLIMETERS.
2. SPECIFICATION SUBJECT TO CHANGE OR WITHDRAWAL WITHOUT NOTICE.
3. THIS PART IS RoHS 2002/95/EC COMPLIANT.

FILE NAME  
SMI-1324-TW-3V-R.DWG

### REVISIONS

LTR	DESCRIPTION	DATE	APPROVED
-	RELEASED FROM ENGINEERING	10/18/06	
A	REVISED DRAWING TO SHOW POS. MARK	10/26/06	R.W.

UNLESS OTHERWISE SPECIFIED:  
DIMENSIONS ARE IN  
MILLIMETERS, TOLERANCES ARE ±0.5 AND  
ANGLES ARE ±3°.



projects®  
unlimited

Dayton, Ohio

APPROVALS	DATE
DRAWN <i>J.D.</i>	10/06
CHECKED <i>B.R.</i>	10/06
APPROVED <i>R.W.</i>	10/06

## INDICATOR

SIZE  
A

DRAWING NO.  
SMI-1324-TW-3V-R

DO NOT SCALE DRAWING

SCALE: N.T.S.

SHEET 1 OF 1